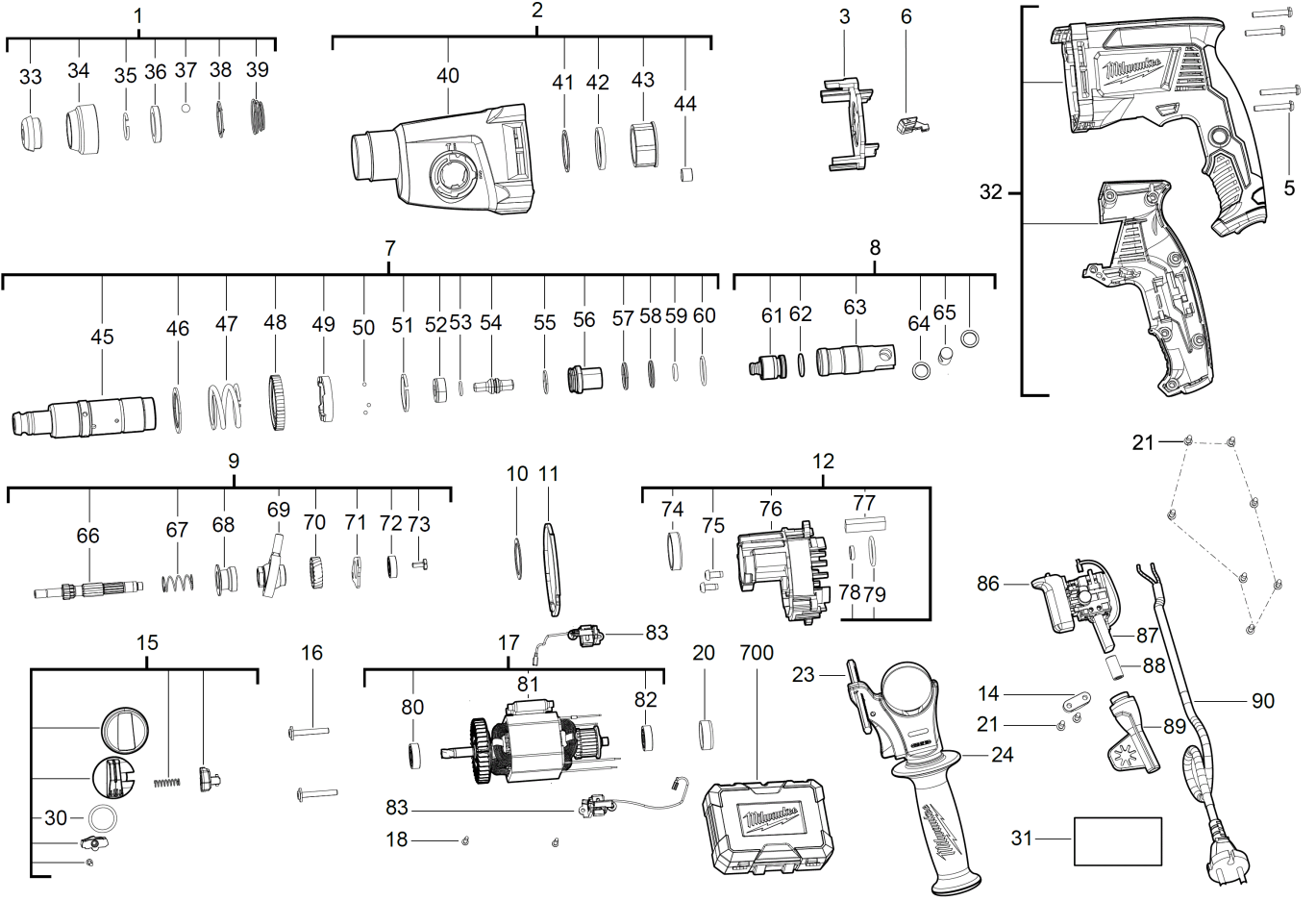


PFH26T ROTARY HAMMER IN2

4933464581 - PFH26T - 4000469090





Position	Quantity	Description	Part number	EAN
0001	1	CHUCK	4931466354	4058546275716
0002	1	GEAR BOX HOUSING	4931466380	4058546275976
0003	1	COVER	4931454439	4058546008673
0005	4	SCREW	661288001	4002395856282
0006	1	SLIDE	4931466357	4058546275747
0007	1	SPINDLE KIT	4931466358	4058546275754
0008	1	CYLINDER	4931466359	4058546275761
0009	1	WOBBLE DRIVE	4931495450	4058546491185
0010	1	WASHER	633516001	4002395851324
0011	1	SEAL	4931454444	4058546008727
0012	1	GEAR BOX	4931466361	4058546275785
0014	1	CLAMP	5131000000	
0015	1	TURNING KNOB	4931466362	4058546275792
0016	2	SCREW	4931454468	4058546008963
0017	1	MOTOR	4931466363	4058546275808
0018	2	SCREW	660570005	4002395827329
0020	1	HOLDER	4931466364	4058546275815
0021	9	SCREW	4931454800	4058546014179
0023	1	DEPTH GAUGE	4931384434	4002395719402
0024	1	HANDLE	4931436000	4002395877140
0030	1	O-RING	4931466366	4058546275839
0031	1	RATING PLATE	4931466381	4058546275983
0032	1	HOUSING	4931466368	4058546275853
0033	1	RUBBER CAP	561993001	4002395854936
0034	1	CLAMPING SLEEVE	522172001	4002395854295
0035	1	SPRING RING	672631001	4002395856336
0036	1	RETAINING RING	633521001	4002395856237
0037	1	BALL	4931453606	4002395143832
0038	1	PLATE	632399001	4002395856275
0039	1	SPRING	4931453607	4002395143849
0040	1	GEAR BOX COVER	4931466382	4058546275990
0041	1	COMPENSATING WASHER	633514001	4002395856244
0042	1	NEEDLE BEARING	4931454446	4058546008741
0043	1	BUSH	4931454445	4058546008734
0044	1	NEEDLE BEARING	4931454447	4058546008758
0045	1	SPINDLE	5131000000	
0046	1	WASHER	633517001	4002395851331
0047	1	COUPLING RING	4931454460	4058546008888
0048	1	GEARWHEEL SET	4931454459	4058546008871
0049	1	CLUTCH	4931454458	4058546008864
0050	3	BALL	611405001	4002395851201
0051	1	HOLDING RING	4931436804	4002395180431
0052	1	STOP WASHER	4931454457	4058546008857
0053	1	O-RING	4931454454	4058546008826
0054	1	SNAP DIE	4931454455	4058546008833
0055	1	O-RING	4931436819	4002395179084
0056	1	SLEEVE	4931472261	4058546284787
0057	1	O-RING	562595001	4002395850655
0058	1	WASHER	633518001	4002395851348
0059	1	O-RING	4931454456	4058546008840

Position	Quantité	Désignation	Référence	EAN
0060	1	CIRCLIP	672632001	4002395851386
0061	1	PERCUSSION BODY	4931454453	4058546008819
0062	1	O-RING	561994001	4002395854943
0063	1	CYLINDER	4931454452	4058546008802
0064	2	WASHER	4931454451	4058546008796
0065	1	BOLT	4931454450	4058546008789
0066	1	SHAFT	4931466383	4058546276003
0067	1	SPRING	4931454475	4058546009038
0068	1	COUPLING SLEEVE	4931454474	4058546009021
0069	1	WOBBLE PLATE	4931466370	4058546275877
0070	1	WORM GEAR WHEEL	4931454471	4058546008994
0071	1	WASHER	4931454470	4058546008987
0072	1	BALL BEARING	5131000000	
0073	1	SCREW	4931436821	4002395179060
0074	1	BUSH	4931454443	4058546008710
0075	2	LOCKING SCREW	4931465672	4058546237721
0076	1	GEAR BOX	4931466371	4058546275884
0077	1	DATA PLATE	5131000000	
0078	1	FELT	4931454441	4058546008697
0079	1	O-RING	4931454442	4058546008703
0080	1	BALL BEARING	4931466372	4058546275891
0081	1	MOTOR	4931454466	4058546008949
0082	1	BALL BEARING	4931466373	4058546275907
0083	1	CARBON BRUSH	4931466721	4058546279387
0086	1	SWITCH	4931454463	4058546008918
0087	1	CAPACITOR	4931454462	4058546008901
0088	1	MAGNET	4931466385	4058546276027
0089	1	RETAINER	5131000000	
0090	1	POWER CORD	4931454477	4058546009052
0700	1	CARRYING CASE	4931466379	4058546275969